



Indukční snímače
Cylindrical threaded housing, IME18

IME18-08NNSZW2K



Typ > [IME18-08NNSZW2K](#)
Obj. číslo > [1040959](#)



At a glance

- Size M18
- IP 67 enclosure rating
- Operating temperature from -25° C to +75° C

Your benefits

- Reduced machine downtime
- Reduced mechanical damage
- Fewer maintenance costs due to longer service life
- High resistance to shock and vibrations



!Features!

| | |
|---------------------------|---------------------|
| Způsob provedení: | Válcový |
| Rozměr závitu: | M18 x 1 |
| Rozměr světelné stopy Sn: | 8 mm |
| Assured sensing range Sa: | 6,48 mm |
| Provedení v kovu: | Nelícovaný |
| Spínací frekvence: | 1.000 Hz |
| Spínací výstup: | NPN |
| Funkce výstupu: | NO |
| Elektrické provedení: | DC 3-vodič |
| Krytí: | IP 67 ¹⁾ |
| Způsob připojení: | Cable, 3-wire, 2 m |
| Housing: | Short-body |

¹⁾ According to EN 60529

!Mechanics/electronics!

| | |
|-------------------------|------------------------|
| Napájecí napětí: | 10 V DC ... 30 V DC |
| Zbytkové vlnění: | ≤ 10 % |
| Úbytek napětí: | ≤ 2 V |
| Odběr proudu: | ≤ 10 mA ¹⁾ |
| Zpoždění po zapnutí: | ≤ 100 ms |
| Hystereze: | 5 % ... 15 % |
| Reprodukovatelnost: | ≤ 2 % ^{2) 3)} |
| Teplotní drift (od Sr): | ± 10 % |
| EMV: | Podle EN 60-947-5 |

| | |
|------------------------------|-----------------------------------|
| Trvalý zatěžovací proud Ia: | ≤ 200 mA |
| Materiál vedení: | PVC |
| Ochrana proti zkratu: | ✓ |
| Ochrana proti přepólování: | ✓ |
| Potlačení spínacího impulsu: | ✓ |
| Šokové -/vibrační namáhání: | 30 g, 11 ms/10 Hz ... 55 Hz, 1 mm |
| Teplota okolí provoz: | -25 °C ... 75 °C |
| Materiál krytu: | Kov, poniklovaná mosaz |
| Housing cap material: | Umělá hmota, PA6 |
| Délka pouzdra: | 48 mm |
| Thread length: | 23 mm |
| Max. utahovací moment: | 40 Nm |

1) Bez zatížení 2) Ub and Ta constant 3) Of Sr

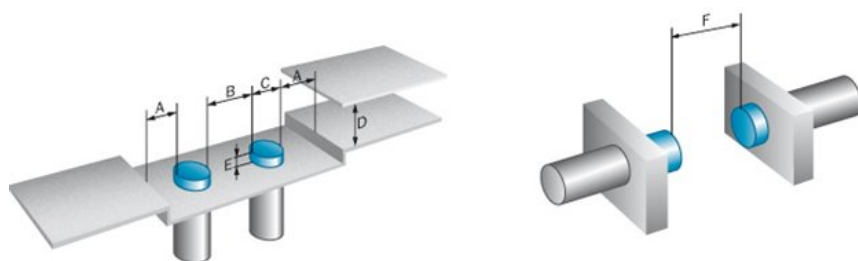
Redukční faktory

| | |
|-----------------------------|--|
| Note: | The values are reference values which may vary |
| Carbon steel St37 (Fe): | 1 |
| Stainless steel (V2A, 304): | Ca. 0,8 |
| Copper (Cu): | Ca. 0,4 |
| Aluminum (Al): | Ca. 0,45 |
| Mosaz: | Ca. 0,4 |

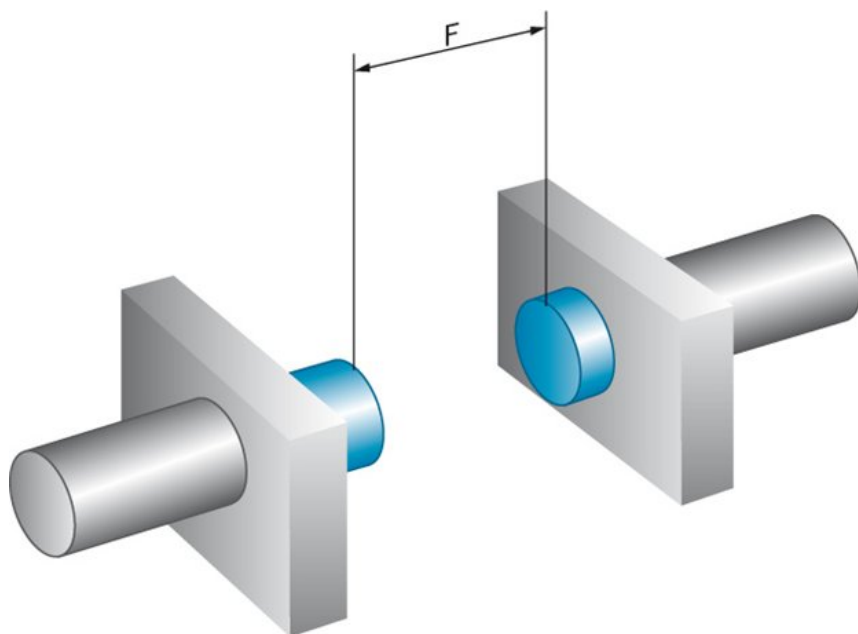
Instalace poznámka

| | |
|-----------|---------------------------------------|
| A: | 18 mm |
| B: | 36 mm |
| C: | 18 mm |
| D: | 24 mm |
| E: | 16 mm |
| F: | 64 mm |
| Poznámka: | Associated graphic see "Installation" |

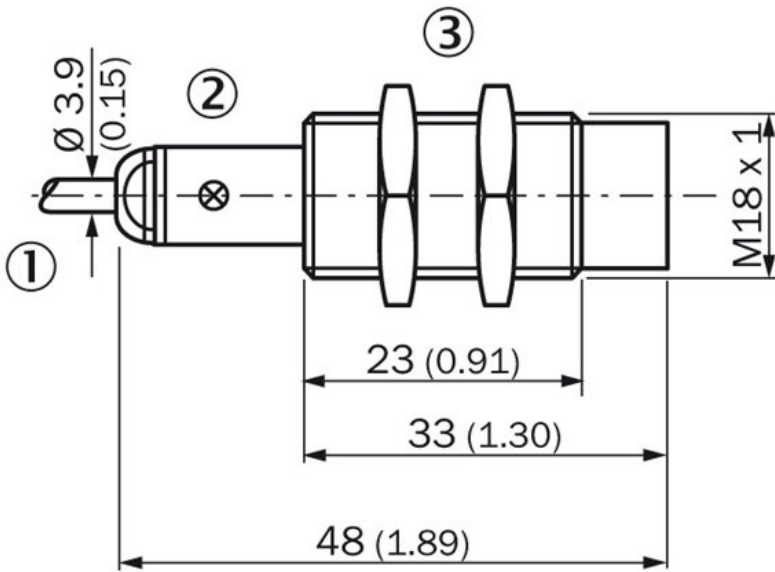
Installation note non-flush installation



Installation note



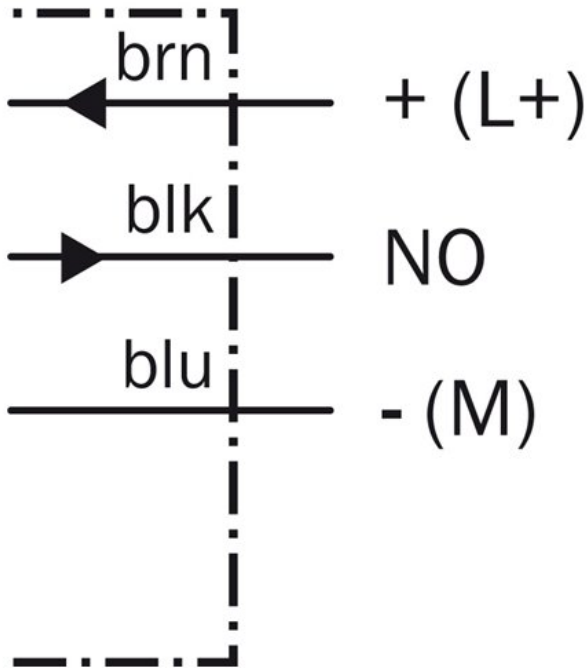
Dimensional drawing



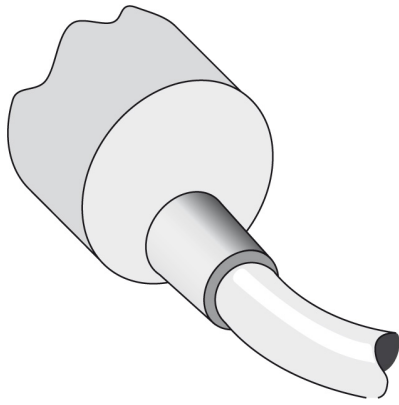
- |1| Connection
- |2| LED indicator
- |3| fastening nuts (2 x); 24 mm hex, metal

All dimensions in mm (inch)

Schéma zapojení



Connection type



Australia

Phone +61 3 9457 0600
1800 334 802 – tollfree
E-Mail sales@sick.com.au

Belgium/Luxembourg

Phone +32 (0)2 466 55 66
E-Mail info@sick.be

Brasil

Phone +55 11 3215-4900
E-Mail sac@sick.com.br

Canada

Phone +1 905 771 14 44
E-Mail information@sick.com

Česká republika

Phone +420 2 57 91 18 50
E-Mail sick@sick.cz

China

Phone +86 4000 121 000
E-Mail info.china@sick.net.cn
Phone +852-2153 6300
E-Mail ghk@sick.com.hk

Danmark

Phone +45 45 82 64 00
E-Mail sick@sick.dk

Deutschland

Phone +49 211 5301-301
E-Mail info@sick.de

España

Phone +34 93 480 31 00
E-Mail info@sick.es

France

Phone +33 1 64 62 35 00
E-Mail info@sick.fr

Great Britain

Phone +44 (0)1727 831121
E-Mail info@sick.co.uk

India

Phone +91-22-4033 8333
E-Mail info@sick-india.com

Israel

Phone +972-4-6801000
E-Mail info@sick-sensors.com

Italia

Phone +39 02 27 43 41
E-Mail info@sick.it

Japan

Phone +81 (0)3 3358 1341
E-Mail support@sick.jp

Magyarország

Phone +36 1 371 2680
E-Mail office@sick.hu

Nederland

Phone +31 (0)30 229 25 44
E-Mail info@sick.nl

Norge

Phone +47 67 81 50 00
E-Mail sick@sick.no

Österreich

Phone +43 (0)22 36 62 28 8-0
E-Mail office@sick.at

Polska

Phone +48 22 837 40 50
E-Mail info@sick.pl

România

Phone +40 356 171 120
E-Mail office@sick.ro

Russia

Phone +7-495-775-05-30
E-Mail info@sick.ru

Schweiz

Phone +41 41 619 29 39
E-Mail contact@sick.ch

Singapore

Phone +65 6744 3732
E-Mail sales.gsg@sick.com

Slovenija

Phone +386 (0)1-47 69 990
E-Mail office@sick.si

South Africa

Phone +27 11 472 3733
E-Mail info@sickautomation.co.za

South Korea

Phone +82 2 786 6321/4
E-Mail info@sickkorea.net

Suomi

Phone +358-9-25 15 800
E-Mail sick@sick.fi

Sverige

Phone +46 10 110 10 00
E-Mail info@sick.se

Taiwan

Phone +886-2-2375-6288
E-Mail sales@sick.com.tw

Türkiye

Phone +90 (216) 528 50 00
E-Mail info@sick.com.tr

United Arab Emirates

Phone +971 (0) 4 8865 878
E-Mail info@sick.ae

USA/México

Phone +1(952) 941-6780
1 800-325-7425 – tollfree
E-Mail info@sickusa.com

More representatives and agencies
at www.sick.com