



Indukční snímače  
Cylindrical threaded housing, IME18

IME18-08NPSZW2K



Typ > [IME18-08NPSZW2K](#)  
Obj. číslo > [1040951](#)



**At a glance**

- Size M18
- IP 67 enclosure rating
- Operating temperature from -25° C to +75° C

**Your benefits**

- Reduced machine downtime
- Reduced mechanical damage
- Fewer maintenance costs due to longer service life
- High resistance to shock and vibrations



**!Features!**

|                           |                     |
|---------------------------|---------------------|
| Způsob provedení:         | Válcový             |
| Rozměr závitu:            | M18 x 1             |
| Rozměr světelné stopy Sn: | 8 mm                |
| Assured sensing range Sa: | 6,48 mm             |
| Provedení v kovu:         | Nelícovaný          |
| Spínací frekvence:        | 1.000 Hz            |
| Spínací výstup:           | PNP                 |
| Funkce výstupu:           | NO                  |
| Elektrické provedení:     | DC 3-vodič          |
| Krytí:                    | IP 67 <sup>1)</sup> |
| Způsob připojení:         | Cable, 3-wire, 2 m  |
| Housing:                  | Short-body          |

<sup>1)</sup> According to EN 60529

**!Mechanics/electronics!**

|                         |                        |
|-------------------------|------------------------|
| Napájecí napětí:        | 10 V DC ... 30 V DC    |
| Zbytkové vlnění:        | ≤ 10 %                 |
| Úbytek napětí:          | ≤ 2 V                  |
| Odběr proudu:           | ≤ 10 mA <sup>1)</sup>  |
| Zpoždění po zapnutí:    | ≤ 100 ms               |
| Hystereze:              | 5 % ... 15 %           |
| Reprodukovatelnost:     | ≤ 2 % <sup>2) 3)</sup> |
| Teplotní drift (od Sr): | ± 10 %                 |
| EMV:                    | Podle EN 60-947-5      |

|                              |                                   |
|------------------------------|-----------------------------------|
| Trvalý zatěžovací proud Ia:  | ≤ 200 mA                          |
| Materiál vedení:             | PVC                               |
| Ochrana proti zkratu:        | ✓                                 |
| Ochrana proti přepólování:   | ✓                                 |
| Potlačení spínacího impulsu: | ✓                                 |
| Šokové -/vibrační namáhání:  | 30 g, 11 ms/10 Hz ... 55 Hz, 1 mm |
| Teplota okolí provoz:        | -25 °C ... 75 °C                  |
| Materiál krytu:              | Kov, poniklovaná mosaz            |
| Housing cap material:        | Umělá hmota, PA6                  |
| Délka pouzdra:               | 48 mm                             |
| Thread length:               | 23 mm                             |
| Max. utahovací moment:       | 40 Nm                             |

1) Bez zatížení 2) Ub and Ta constant 3) Of Sr

### Redukční faktory

---

|                             |  |
|-----------------------------|--|
| Note:                       | The values are reference values which may vary |
| Carbon steel St37 (Fe):     | 1  |
| Stainless steel (V2A, 304): | Ca. 0,8  |
| Copper (Cu):                | Ca. 0,4  |
| Aluminum (Al):              | Ca. 0,45                                       |
| Mosaz:                      | Ca. 0,4  |

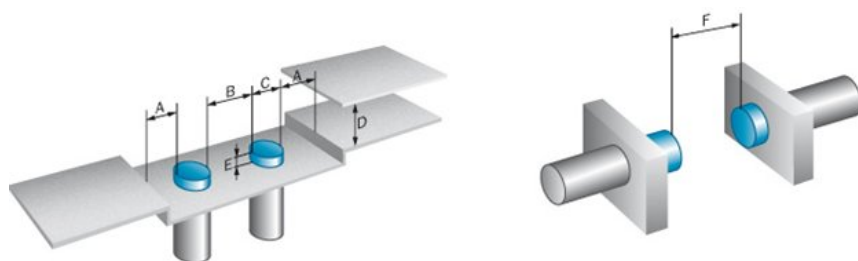
### Instalace poznámka

---

|           |                                       |
|-----------|---------------------------------------|
| A:        | 18 mm                                 |
| B:        | 36 mm                                 |
| C:        | 18 mm                                 |
| D:        | 24 mm                                 |
| E:        | 16 mm                                 |
| F:        | 64 mm                                 |
| Poznámka: | Associated graphic see "Installation" |

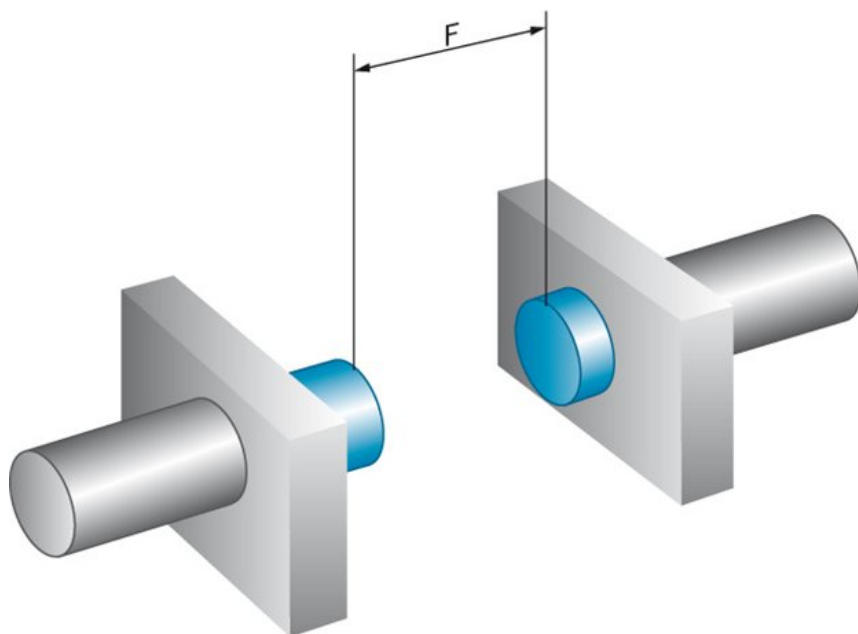
## Installation note non-flush installation

---

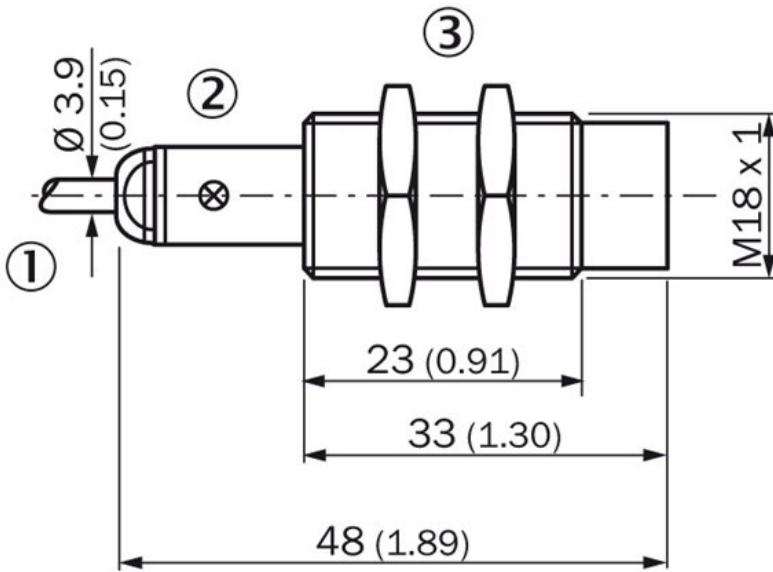


## Installation note

---



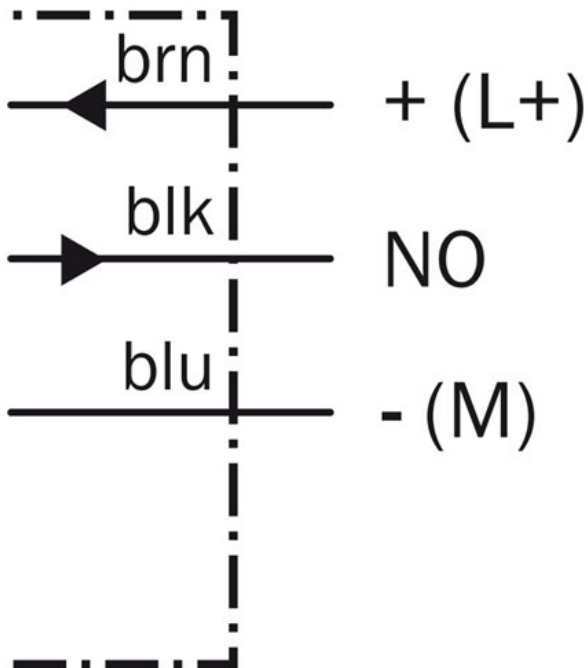
## Dimensional drawing



- |1| Connection
- |2| LED indicator
- |3| fastening nuts (2 x); 24 mm hex, metal

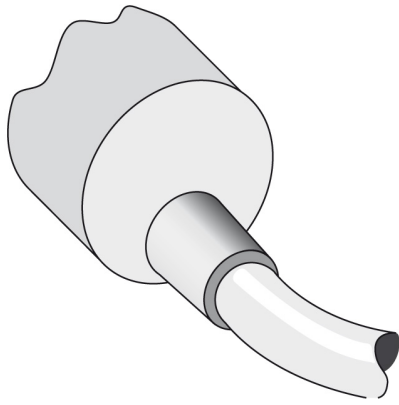
All dimensions in mm (inch)

## Schéma zapojení



**Connection type**

---



**Australia**

Phone +61 3 9457 0600  
1800 334 802 – tollfree  
E-Mail sales@sick.com.au

**Belgium/Luxembourg**

Phone +32 (0)2 466 55 66  
E-Mail info@sick.be

**Brasil**

Phone +55 11 3215-4900  
E-Mail sac@sick.com.br

**Canada**

Phone +1 905 771 14 44  
E-Mail information@sick.com

**Česká republika**

Phone +420 2 57 91 18 50  
E-Mail sick@sick.cz

**China**

Phone +86 4000 121 000  
E-Mail info.china@sick.net.cn  
Phone +852-2153 6300  
E-Mail ghk@sick.com.hk

**Danmark**

Phone +45 45 82 64 00  
E-Mail sick@sick.dk

**Deutschland**

Phone +49 211 5301-301  
E-Mail info@sick.de

**España**

Phone +34 93 480 31 00  
E-Mail info@sick.es

**France**

Phone +33 1 64 62 35 00  
E-Mail info@sick.fr

**Great Britain**

Phone +44 (0)1727 831121  
E-Mail info@sick.co.uk

**India**

Phone +91-22-4033 8333  
E-Mail info@sick-india.com

**Israel**

Phone +972-4-6801000  
E-Mail info@sick-sensors.com

**Italia**

Phone +39 02 27 43 41  
E-Mail info@sick.it

**Japan**

Phone +81 (0)3 3358 1341  
E-Mail support@sick.jp

**Magyarország**

Phone +36 1 371 2680  
E-Mail office@sick.hu

**Nederland**

Phone +31 (0)30 229 25 44  
E-Mail info@sick.nl

**Norge**

Phone +47 67 81 50 00  
E-Mail sick@sick.no

**Österreich**

Phone +43 (0)22 36 62 28 8-0  
E-Mail office@sick.at

**Polska**

Phone +48 22 837 40 50  
E-Mail info@sick.pl

**România**

Phone +40 356 171 120  
E-Mail office@sick.ro

**Russia**

Phone +7-495-775-05-30  
E-Mail info@sick.ru

**Schweiz**

Phone +41 41 619 29 39  
E-Mail contact@sick.ch

**Singapore**

Phone +65 6744 3732  
E-Mail sales.gsg@sick.com

**Slovenija**

Phone +386 (0)1-47 69 990  
E-Mail office@sick.si

**South Africa**

Phone +27 11 472 3733  
E-Mail info@sickautomation.co.za

**South Korea**

Phone +82 2 786 6321/4  
E-Mail info@sickkorea.net

**Suomi**

Phone +358-9-25 15 800  
E-Mail sick@sick.fi

**Sverige**

Phone +46 10 110 10 00  
E-Mail info@sick.se

**Taiwan**

Phone +886-2-2375-6288  
E-Mail sales@sick.com.tw

**Türkiye**

Phone +90 (216) 528 50 00  
E-Mail info@sick.com.tr

**United Arab Emirates**

Phone +971 (0) 4 8865 878  
E-Mail info@sick.ae

**USA/México**

Phone +1(952) 941-6780  
1 800-325-7425 – tollfree  
E-Mail info@sickusa.com

More representatives and agencies  
at [www.sick.com](http://www.sick.com)